

**PART SPECIFICATION FOR APPROVAL**

<b>CUSTOMER</b>	<b>Aruba Networks</b>
<b>MODEL</b>	<b>EMSA120150-P13P-SZ-C10</b>
<b>DESCRIPTION</b>	<b>switching power supply</b>
<b>DATE</b>	<b>05/07/2014</b>
<b># OF PAGES</b>	<b>8</b>

<b>rev.</b>	<b>description</b>	<b>date</b>
1.0	initial release	08/16/2012
1.01~1.06	see page 8 for revision history	--
1.07	updated label	05/23/2013
1.08	dc plug spec added	07/30/2013
1.09	updated packaging labels	10/15/2013
1.10	updated labels, added hebrew label to packaging	12/05/2013
1.11	changed part #, PSE updated to CUI Japan, Aruba logo removed	04/11/2014
1.12	updated packaging sizes	04/24/2014
1.13	corrected master carton size	05/07/2014

The revision history provided is for informational purposes only and is believed to be accurate.

Please sign below.

approved by \_\_\_\_\_  
(please print)

signature \_\_\_\_\_

date \_\_\_\_\_

Specification sign-off verifies that you have reviewed the entire specification and tested this product and that it meets your requirements. This specification reflects the part as it is to be ordered. Orders will not be processed until the specification approval page has been signed and returned to CUI Inc. This specification is confidential and is not to be distributed without prior approval from CUI Inc.

MODEL	output voltage typ (Vdc)	output current max (A)	output power max (W)	ripple and noise <sup>1</sup> max (mVp-p)	efficiency level
EMSA120150-P13P-SZ-C10	12	1.5	18	150	V

Notes: 1. At full load, 100 ~ 240 Vac input, 20 MHz bandwidth oscilloscope, each output terminated with 10  $\mu$ F aluminum electrolytic and 0.1  $\mu$ F ceramic capacitors.

## INPUT

parameter	conditions/description	min	typ	max	units
voltage		90		264	Vac
frequency		47		63	Hz
input current				0.6	A
inrush current	at 115 Vac, cool start at 230 Vac, cool start			40 80	A A
no load power consumption				0.3	W

## OUTPUT

parameter	conditions/description	min	typ	max	units
line regulation			$\pm 1$		%
load regulation			$\pm 5$		%

## PROTECTIONS

parameter	conditions/description	min	typ	max	units
over voltage protection	output voltage clamped by internal protection zener				
short circuit protection	output shut down and auto restart				

## SAFETY & COMPLIANCE

parameter	conditions/description	min	typ	max	units
isolation voltage	input to output for 1 minute at 10mA			3,000 4,242	Vac Vdc
insulation resistance	input to output at 500 Vdc	100			M $\Omega$
safety approvals	UL/cUL, GS, RCM, CCC, PSE, KC, INMETRO, PCT, SASO UkrSEPRO, BSMI, NOM, S Mark, PSB, Malaysia, South Africa, Israel				
EMI/EMC	FCC class B, CE, VCCI				
leakage current				0.25	mA
RoHS	2011/65/EU				

## ENVIRONMENTAL

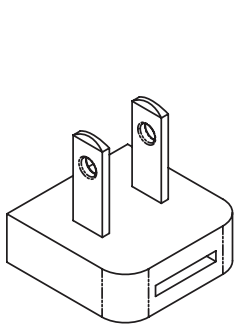
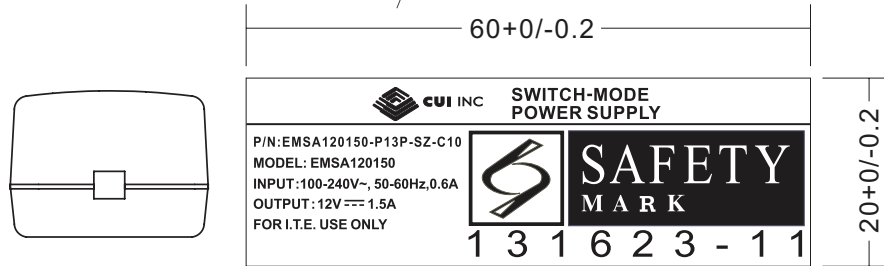
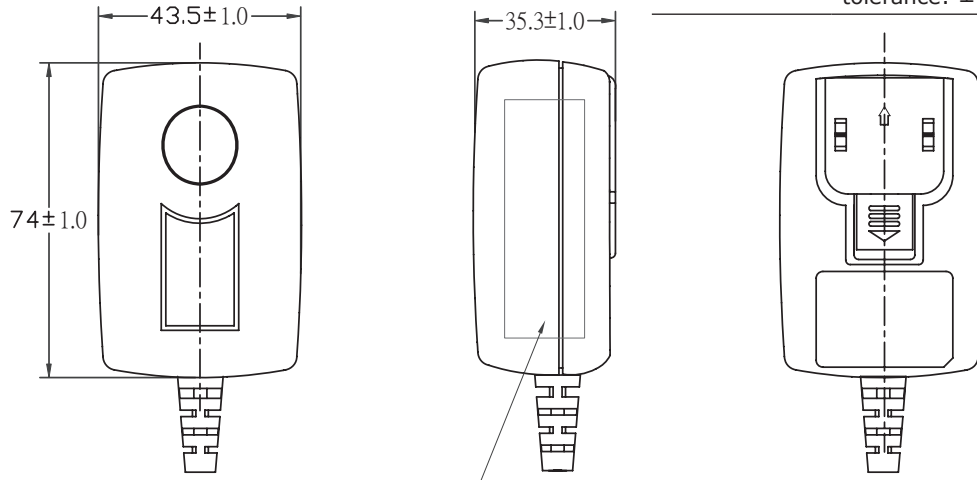
parameter	conditions/description	min	typ	max	units
operating temperature		0		40	$^{\circ}$ C
storage temperature		-10		70	$^{\circ}$ C
operating humidity		20		80	%
storage humidity		10		90	%



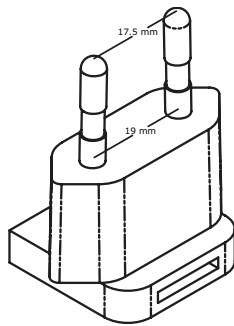


## MECHANICAL DRAWING

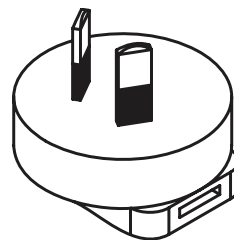
input plug	interchangeable blade: US, EU, UK, Australia, China, Korea, Brazil, Argentina
weight	213 g w/ blades
case size	74 L x 43.5 W x 35.3 H mm tolerance: ±1 mm



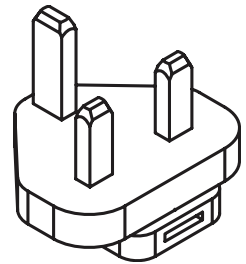
N. AMERICA



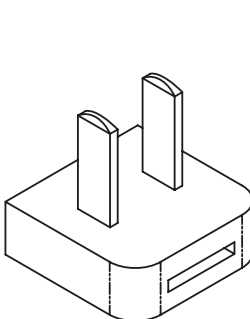
EU  
Ø4.0 mm



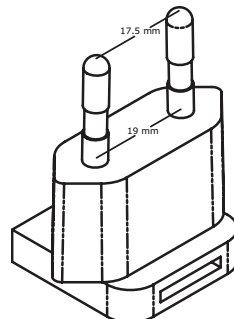
AUSTRALIA/  
NEW ZEALAND



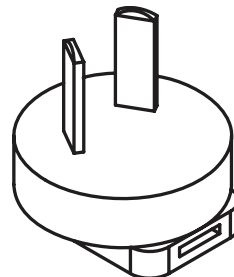
UK



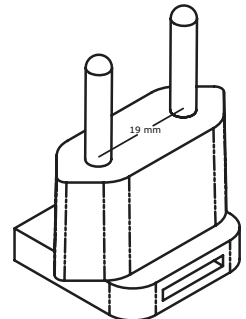
CHINA



KOREA  
Ø4.8 mm



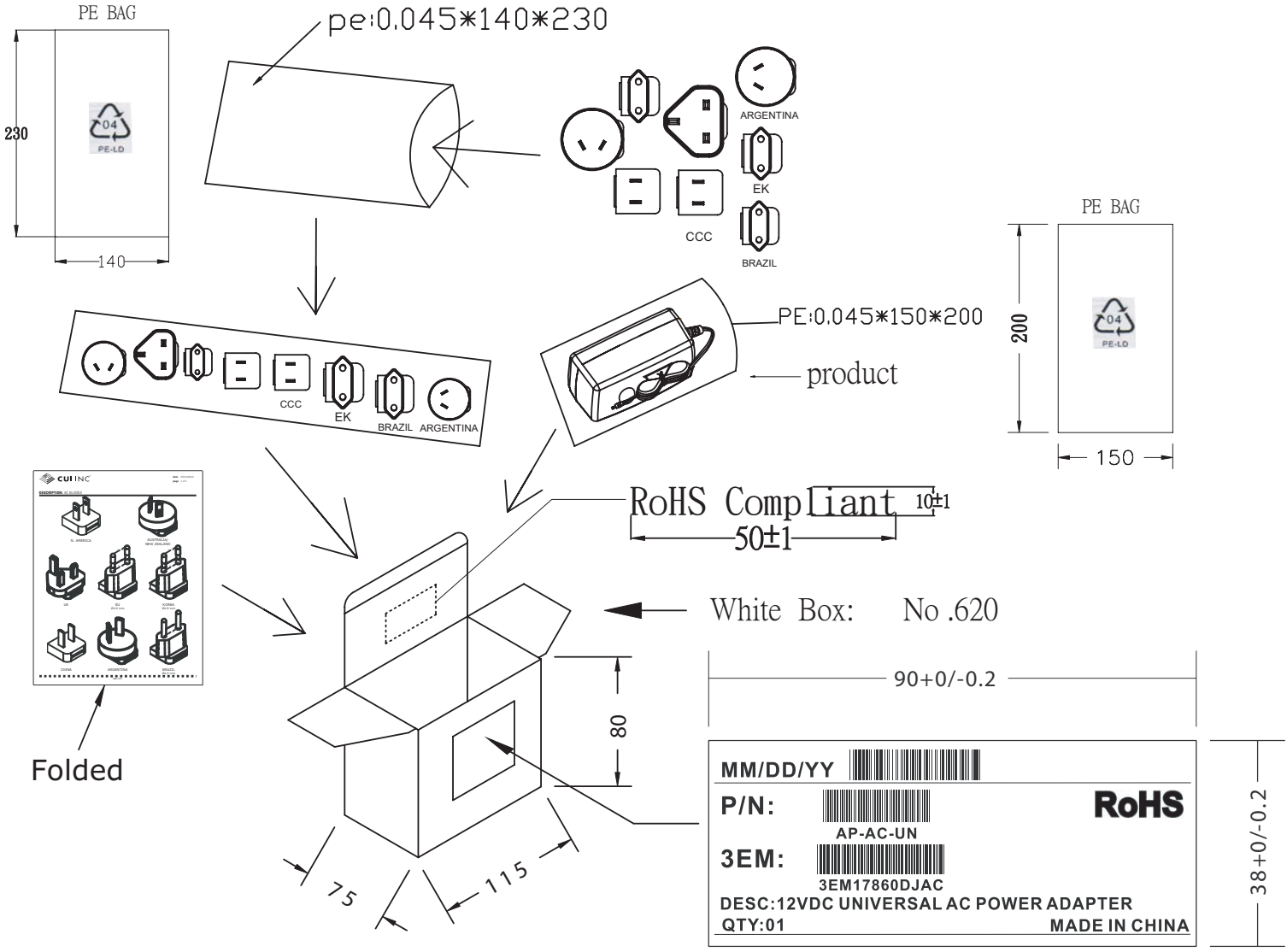
ARGENTINA



BRAZIL  
Ø4.0 mm

# IND PACKAGING

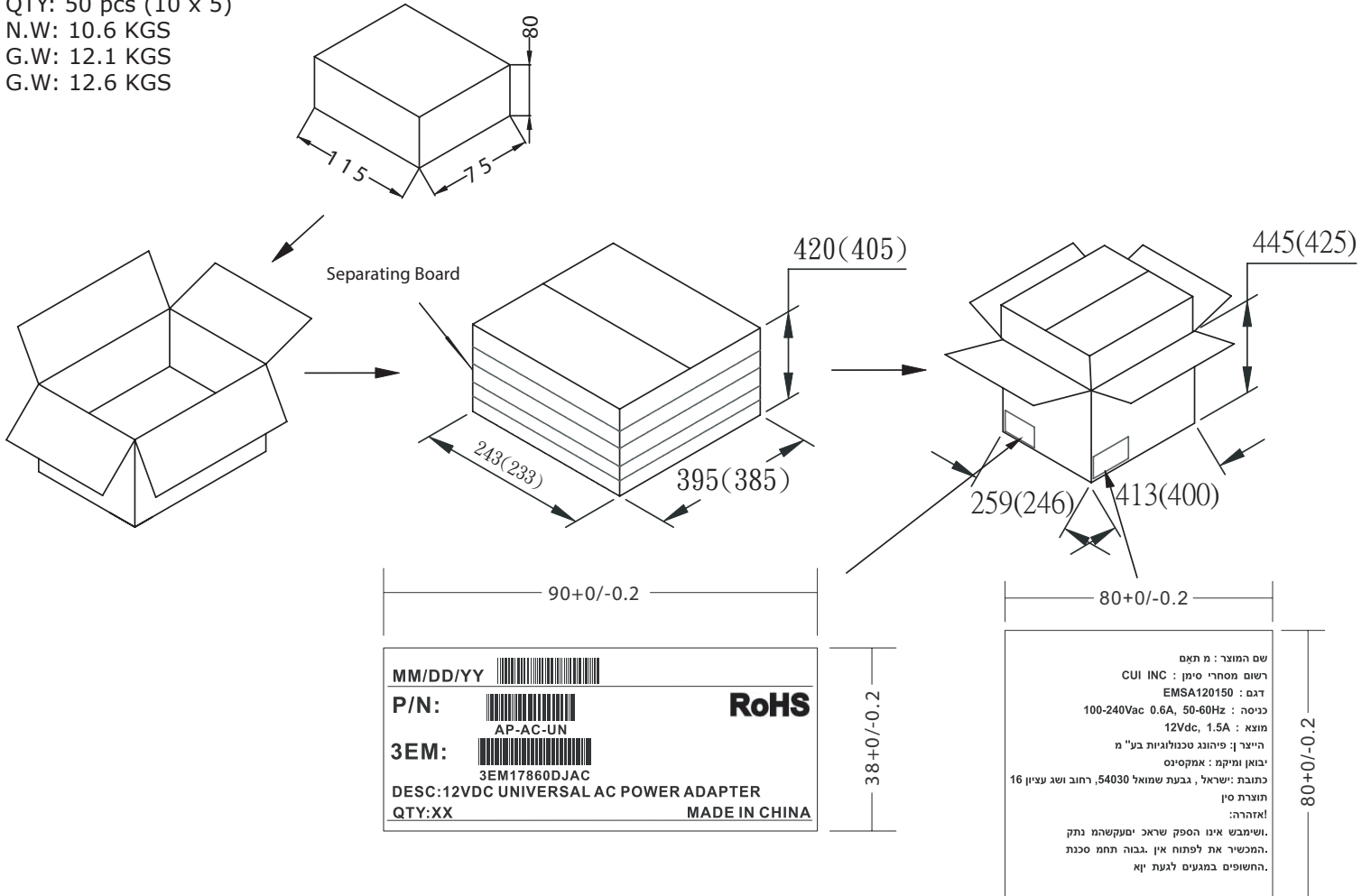
tolerance ±1 mm



## PACKAGING

External Carton Material: A=B (6mm)  
 Internal Carton Material: B3B (3mm)  
 Carton Size: 413 x 259 x 445mm  
 QTY: 50 pcs (10 x 5)  
 N.W: 10.6 KGS  
 G.W: 12.1 KGS  
 G.W: 12.6 KGS

tolerance	+7/-0 mm
-----------	----------



## REVISION HISTORY

rev.	description	date
1.0	initial release	08/16/2012
1.01	updated label	08/30/2012
1.02	added safety marks	09/11/2012
1.03	updated part number on label	10/04/2012
1.04	updated ac blades, updated both packaging label dimensions, updated dc cord	11/08/2012
1.05	added dc plug drawing, Brazil blade, and Argentina blade, changed packaging text	05/15/2013
1.06	updated packaging sizes and labels	05/17/2013
1.07	updated label	05/23/2013
1.08	dc plug spec added	07/30/2013
1.09	updated packaging labels	10/15/2013
1.10	updated labels, added hebrew label to packaging	12/05/2013
1.11	changed part #, PSE updated to CUI Japan, Aruba logo removed	04/11/2014
1.12	updated packaging sizes	04/24/2014
1.13	corrected master carton size	05/07/2014

The revision history provided is for informational purposes only and is believed to be accurate.



**CUI INC**<sup>®</sup>

**Headquarters**  
20050 SW 112th Ave.  
Tualatin, OR 97062  
**800.275.4899**

Fax 503.612.2383  
**cui.com**  
techsupport@cui.com

This device complies with part 15 of the FCC Rules. Operation is subject to the following two conditions:

- (1) This device may not cause harmful interference, and
- (2) this device must accept any interference received, including interference that may cause undesired operation.

CUI offers a one (1) year limited warranty. Complete warranty information is listed on our website.

CUI reserves the right to make changes to the product at any time without notice. Information provided by CUI is believed to be accurate and reliable. However, no responsibility is assumed by CUI for its use, nor for any infringements of patents or other rights of third parties which may result from its use.

CUI products are not authorized or warranted for use as critical components in equipment that requires an extremely high level of reliability. A critical component is any component of a life support device or system whose failure to perform can be reasonably expected to cause the failure of the life support device or system, or to affect its safety or effectiveness.