



PART SPECIFICATION FOR APPROVAL

CUSTOMER	Aruba
MODEL	ETS050400U-P5P-ET-RS
DESCRIPTION	switching power supply
DATE	06/04/2012
# OF PAGES	4

rev.	description	date
1.0	initial release	12/01/2007
1.01	updated dc plug and label	05/17/2012
1.02	updated label	06/04/2012

The revision history provided is for informational purposes only and is believed to be accurate.

Please sign below.

approved by _____
(please print)

signature _____

date _____

Specification sign-off verifies that you have reviewed the entire specification and tested this product and that it meets your requirements. This specification reflects the part as it is to be ordered. Orders will not be processed until the specification approval page has been signed and returned to CUI Inc. This specification is confidential and is not to be distributed without prior approval from CUI Inc.

MODEL	output voltage typ (Vdc)	output current max (A)	output power max (W)	ripple and noise ¹ max (mVp-p)	efficiency level
ETS050400U-P5P-ET-RS	5	4	20	50	V

Notes: 1. At full load, 100 ~ 240 Vac input, 20 MHz bandwidth oscilloscope, each output terminated with 10 μ F and 0.1 μ F capacitors.

INPUT

parameter	conditions/description	min	typ	max	units
voltage		90		264	Vac
frequency		47		63	Hz
input current				0.8	A
inrush current	at 230 Vac, full load, cold start			60	A
no load power consumption				0.5	W
power factor correction	at 100 Vac, full load at 240 Vac, full load	0.95 0.9			

OUTPUT

parameter	conditions/description	min	typ	max	units
rise time				50	ms
hold-up time	at 115 Vac, full load	10			ms

PROTECTIONS

parameter	conditions/description	min	typ	max	units
over voltage protection				8	V
short circuit protection	auto restart				

SAFETY & COMPLIANCE

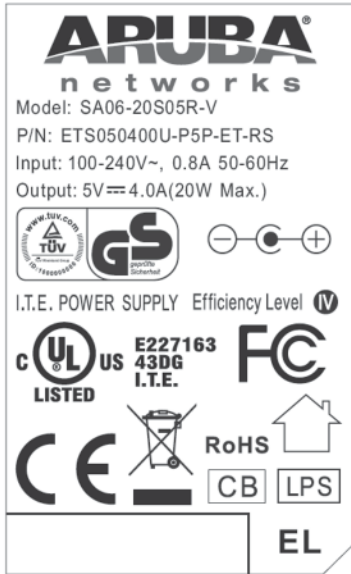
parameter	conditions/description	min	typ	max	units
isolation voltage	input to output at 10 mA for for 3 seconds input to ground at 10 mA for for 3 seconds			1,800 1,800	Vac Vac
safety approvals	UL 60950-1, cUL 22.2 No. 950, TUV EN 60950-1				
EMI/EMC	FCC Class B, CNS 13438 Class B, CISPR Class B				
MTBF		40,000			hours
RoHS compliant	yes				

ENVIRONMENTAL

parameter	conditions/description	min	typ	max	units
operating temperature		0		40	°C
storage temperature		-20		85	°C
operating humidity		20		80	%
storage humidity		0		90	%

LABEL

Black Text with Silver Background.



Label 2:

XXXXXXXXXXXXX
MADE IN CHINA

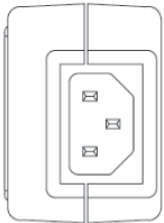
*China Factory: "MADE IN CHINA"

*Taiwan Factory: "MADE IN TAIWAN"

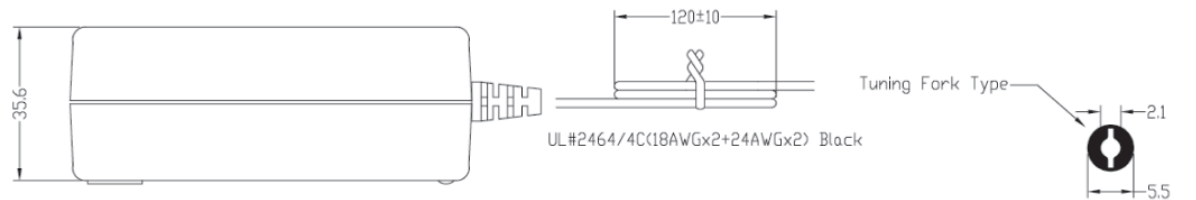
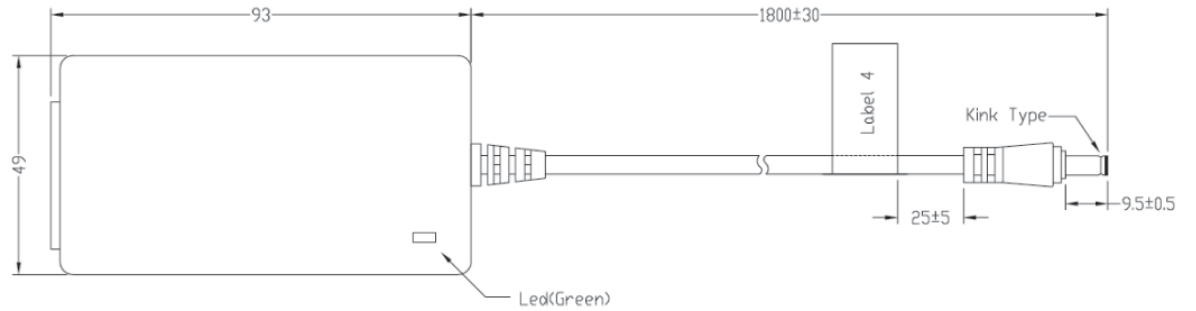
*S/N: XXXXXXXXXXXXXXX

- Serial No.
- Date Code.
- Revision No.
- Team No.(1,2,3,4,5...etc.)
- Line No.(A,B,C,D,E...etc.)

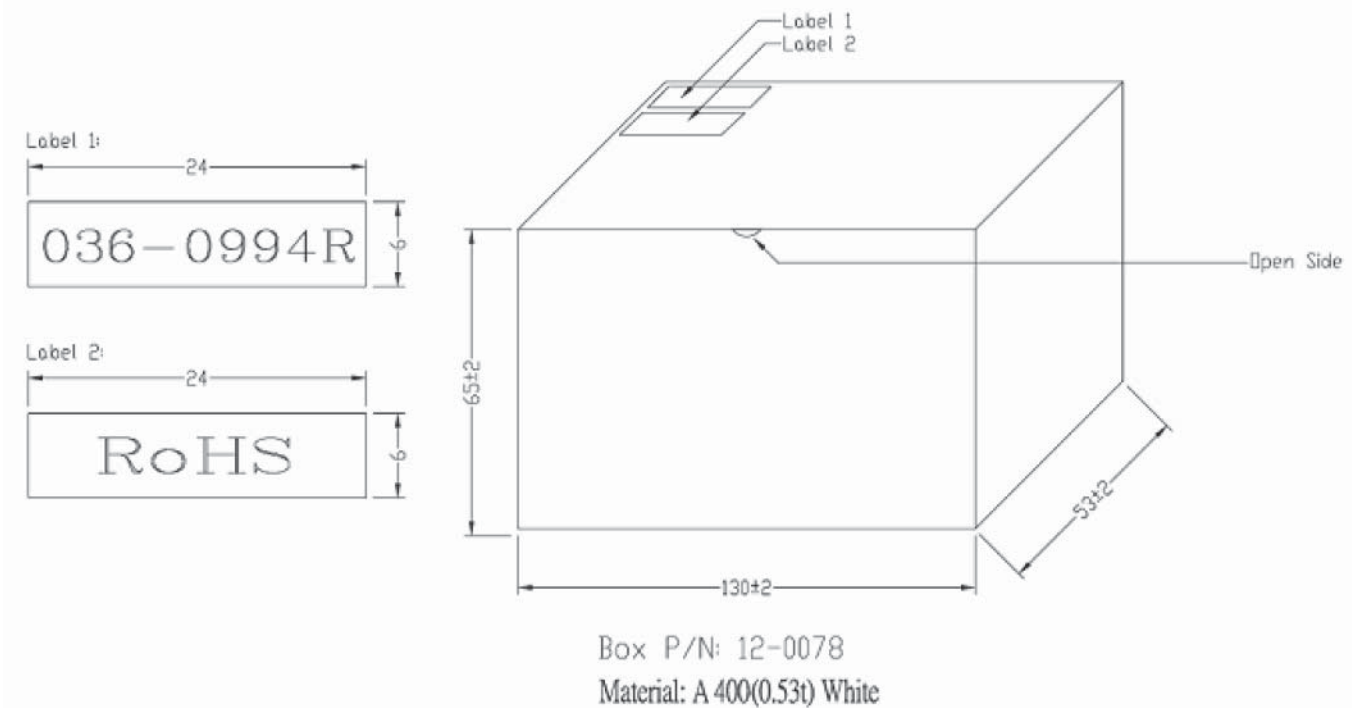
MECHANICAL DRAWING



Label 4:



PACKAGING



REVISION HISTORY

rev.	description	date
1.0	initial release	12/01/2007
1.01	updated dc plug and label	05/17/2012
1.02	updated label	06/04/2012

The revision history provided is for informational purposes only and is believed to be accurate.



Headquarters
20050 SW 112th Ave.
Tualatin, OR 97062
800.275.4899

Fax 503.612.2383
cui.com
techsupport@cui.com

This device complies with part 15 of the FCC Rules. Operation is subject to the following two conditions:

- (1) This device may not cause harmful interference, and
- (2) this device must accept any interference received, including interference that may cause undesired operation.

CUI offers a one (1) year limited warranty. Complete warranty information is listed on our website.

CUI reserves the right to make changes to the product at any time without notice. Information provided by CUI is believed to be accurate and reliable. However, no responsibility is assumed by CUI for its use, nor for any infringements of patents or other rights of third parties which may result from its use.

CUI products are not authorized or warranted for use as critical components in equipment that requires an extremely high level of reliability. A critical component is any component of a life support device or system whose failure to perform can be reasonably expected to cause the failure of the life support device or system, or to affect its safety or effectiveness.